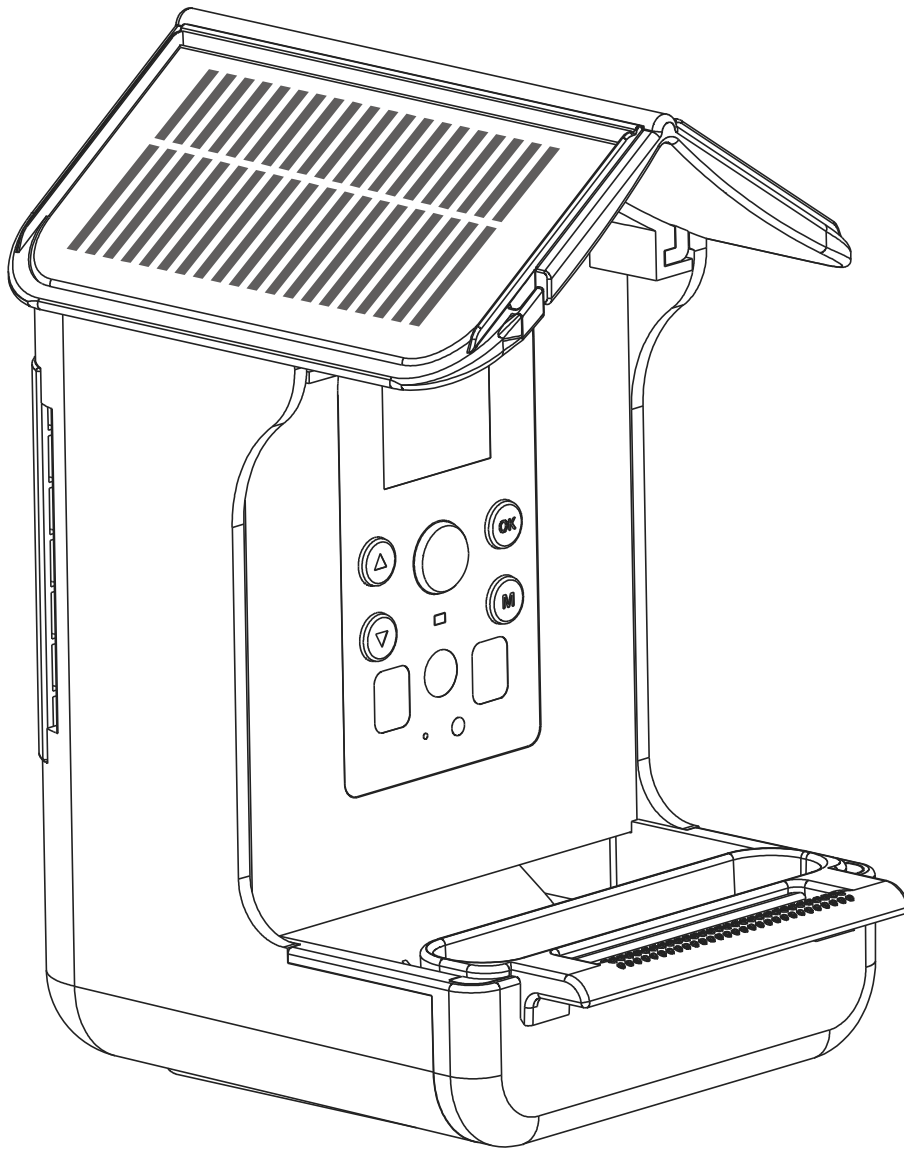




BRAUN®



**BRAUN Bird Cam 130 Solar
User Manual**

1. Product information

The bird feeder camera is equipped with a PIR (pyroelectric infrared) sensor with high sensitivity. When a bird or other animal moves in front of the lens and causes a change in the surrounding temperature of the external environment, it will be triggered, and automatically capture pictures or record high-resolution video.

It is designed for outdoor use (rainproof IP65). It can be attached to a tree or bush etc. and is therefore ideal for use in the garden.

WARNING:

Fill the unit with dry food only and do not allow moisture to build up inside the feeder.

2. Package Contents

- ① Bird feeder camera
- ② Strap
- ③ USB cable
- ④ Water sink
- ⑤ Handlebar mount adaptor
- ⑥ Handlebar mount
- ⑦ Hummingbird feeder
- ⑧ Instructions



①



②



③



④



⑤



⑥

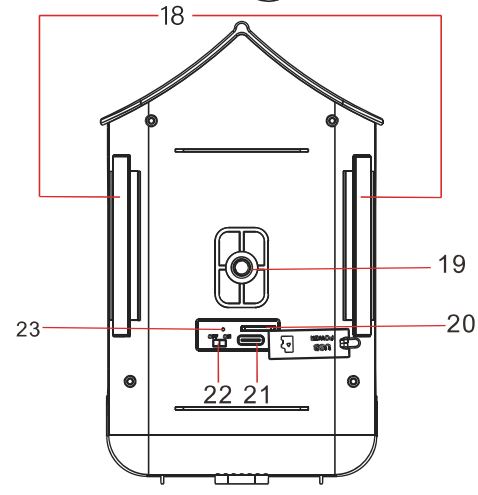
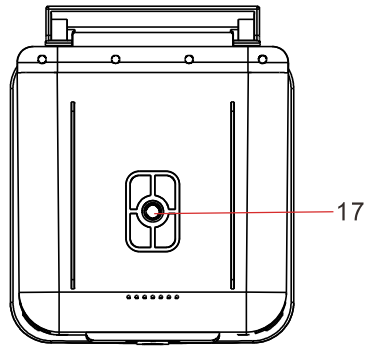
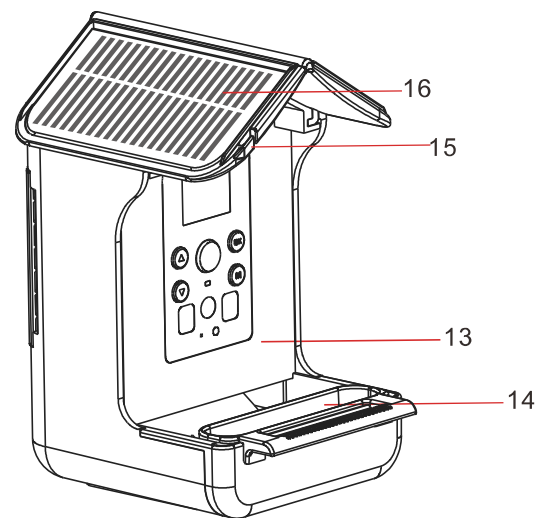
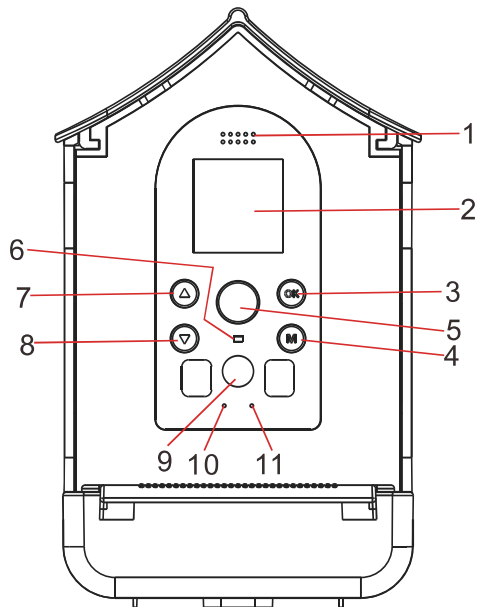


⑦



⑧

3. Bird feeder camera structure



- 1. Speaker
- 2. Screen
- 3. OK/Capture
- 4. Mode
- 5. PIR Sensing
- 6. Statuslight
- 7. UP
- 8. Down
- 9. Lens
- 10. Microphone
- 11. Charging Indicator

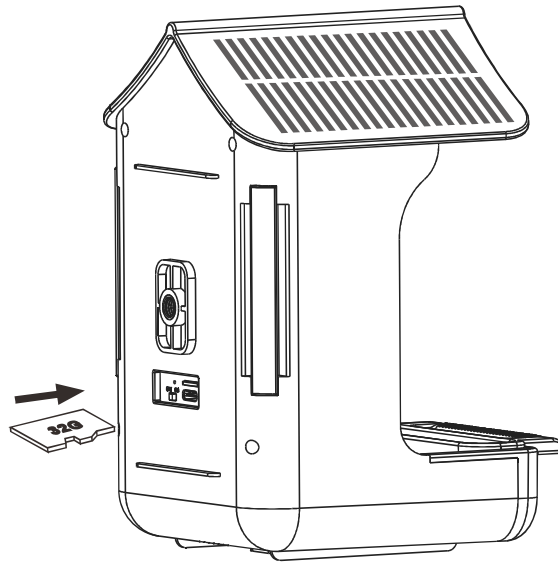
- 12. Food Bin
- 13. Water Sink
- 14. Hanging Hole
- 15. Solar Panels
- 16. Bracket Screw Hole
- 17. Strap Place
- 18. Bracket Screw Hole
- 19. SD Card Slot
- 20. USB (Type-C)
- 21. Power Switch
- 22. Charging Indicator

4. Using the Bird Feeder Camera

4.1 Insert the microSD card (max. 32GB class 10) before powering on.

- ① Open the silicone protective shell, to access the memory card slot.
- ② Insert the memory card. Ensure that the metal contacts are inserted first.
- ③ Push the memory card down until you hear an audible click. The memory card can only be inserted in one way. Do not force the card in if it will not go in smoothly.
- ④ Close the silicone protective shell.

To remove the memory card, simply push in and the card will eject out.



Note: Only when the microSD card is inserted into the camera the camera can function normally. It is recommended to format the card via the camera menu before first use.

4.2 Power on/off

Toggle the OFF/ON Switch to ON to turn the camera on and press the Mode button to light up the screen. Toggle the OFF/ON Switch to OFF to turn off the camera.

4.3 Camera use

Modes: press the / button to cycle between Camera, Video, Camera+Video, PlayBack and Settings.

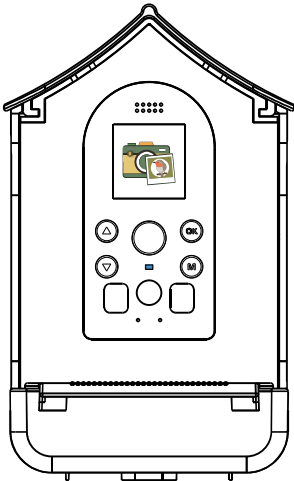
Enter mode: press the OK button to enter the selected one



Exit mode: press the Mode button in Camera/Video/Camera+Video Mode to return to main menu and light up the screen; In PlayBack and Settings modes, press the Mode button once to return to the main menu.

Note: when the screen is off, press and hold any button on the camera for 2-3 seconds to light up the screen.



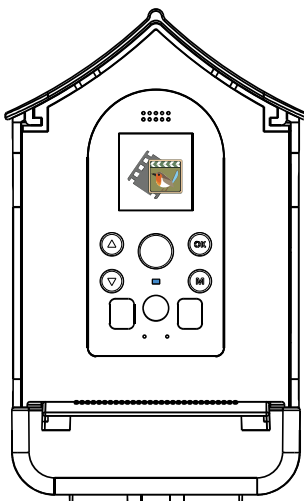
Camera Mode





Select the "" function icon, click the  button to enter the camera mode. At this point, the camera will automatically turn off the screen, when birds or other objects enter the PIR sensing area, the camera starts shooting, and will automatically take pictures without manual operation.



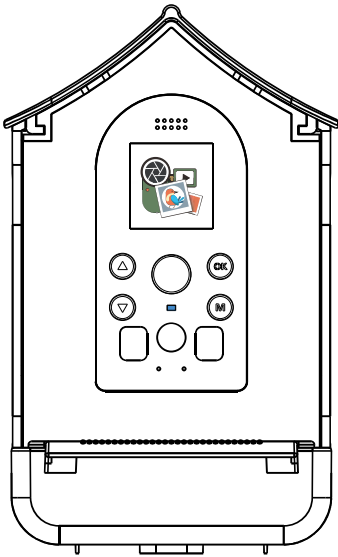
Video Mode





Select the "" function icon, click the  button to enter the recording mode. At this point, the camera will automatically turn off the screen. When birds or other objects enter the PIR sensing area, the camera starts recording. The camera will automatically record videos without manual operation.



Camera+Video Mode







Select the "  " function icon, and click the  button to enter the camera + video mode. At this point, the camera will automatically turn off the screen. When birds or other objects enter the PIR infrared sensing area, the camera starts to work. The camera will automatically take photos first and then take a video without manual operation.

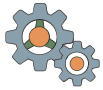
Note

- * **Not suitable for night recordings. The camera is for use in daylight. Night recordings are therefore not visible.**
- * **Please go to the "Setting"- "Burst" to set 3/5/10 photos for photo capturing.**
- * **Please go to the "Setting"- "Video Time" to set 10s/30s/1min/3min video for video recording.**






PlayBack

- * Press the  button to view files;
- * Press the  button to start/stop playing video, and press the Mode button to exit the video-viewing;
- * Hold the  button to pop out "Delete One".
- * Hold the  button to pop out "Delete All".




Settings

Select “setting” using the  or  button. Press the  button to enter the “setting” sub-menu and press the Mode button to exit.


Date/Time

Press the  or  button to change the red-marked value.

Press the  button to switch to the next value.




Burst

Press the  or  button to navigate the menu and

Press the  button to confirm your selected setting configuration.




Note: If you set 3/5/10, the camera will take 3/5/10 photos when it is in “Camera” and “Camera+Video” mode.

Video Time

Press the  or  button to navigate the menu and press the  button to confirm your selected setting configuration.

Note: If you set 10s/30s/1min/3min, the camera will take 10s/30s/1min/3min videos when it is in “Video” and “Camera+Video” mode.

Other Settings

Press the  or  button to navigate the menu and press the  button to confirm your selected setting configuration.

Function	
Format	Format the SD card before using it for the first time.
Default Settings	Reset the unit to factory default settings.
Language	Select your language.
Video Loop	Set the duration of video recordings. (10 sec / 30 sec / 1 min / 3 min)
Screensaver	Deactivate the screen to save energy. (Off / 1 minute / 2 min / 3 min)
Auto Power Off	Turn the unit off automatically (Off / 3 min / 5 min)
Burst	Set the number of photos to take. (3 / 5 / 10 photos in a row)
Photo Resolution	Set the resolution of your photos. (3M / 5M / 8M / 12M)
Video Resolution	Set the resolution of your videos. (VGA / 720p / 1080p)
Date/Time	Set the date and time with the UP/DOWN keys (7/8) and confirm with OK (3).

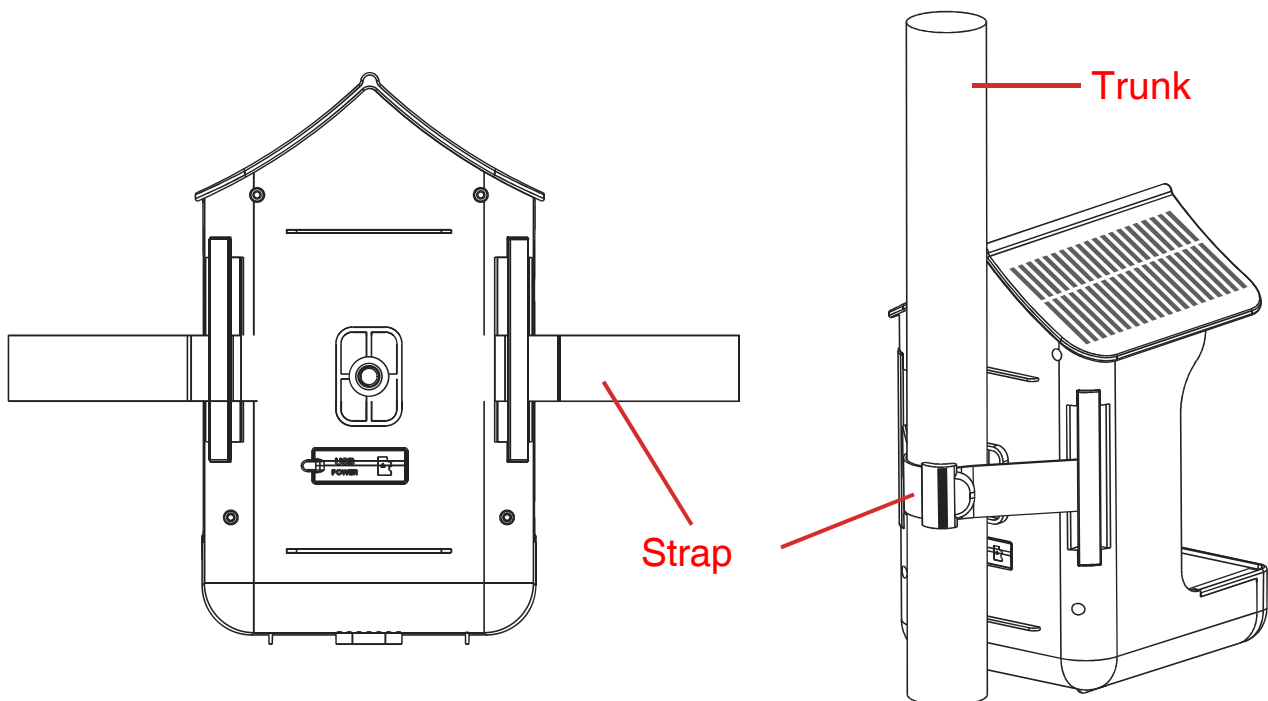
5.How to Mount the Bird Feeder Camera

5.1 Using the strap

The first installation method is as follows:

Step 1: Use the strap across the strap place

Step 2: Fix the feeder to the tree trunk with the strap.

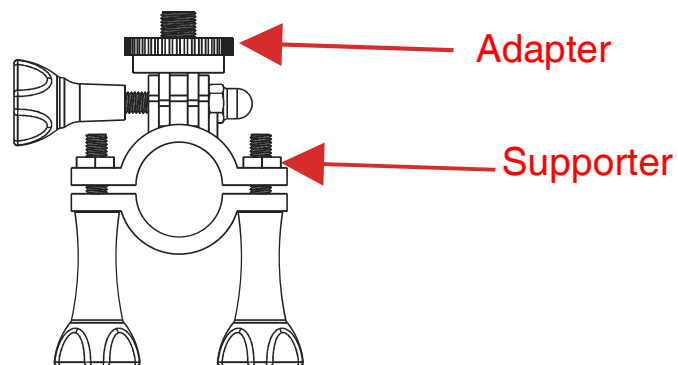


5.2 Using supporter

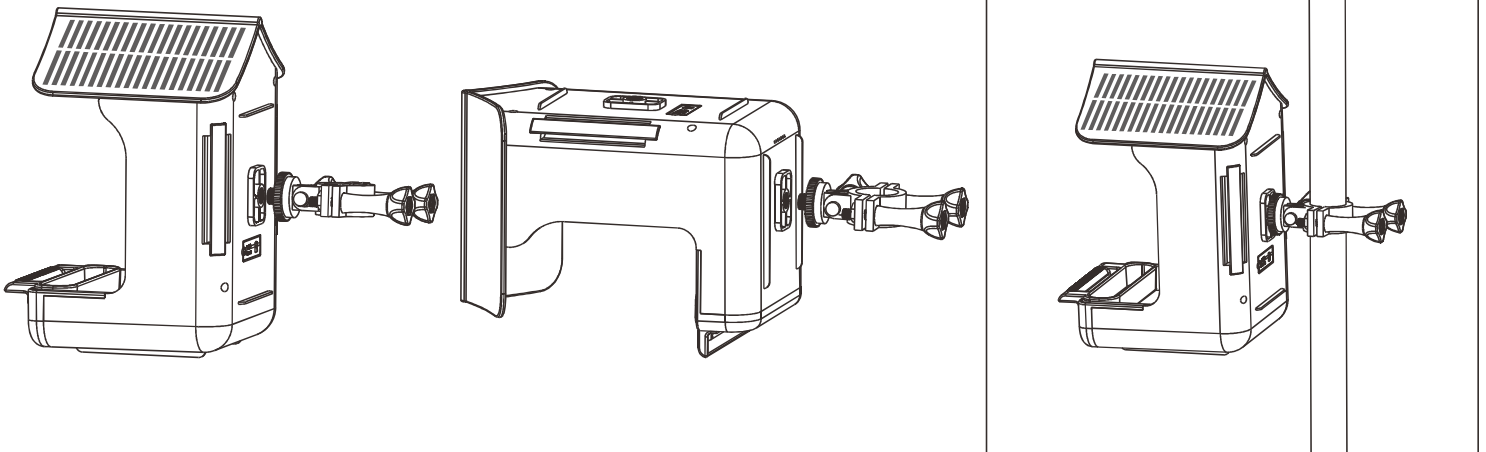
The second installation method is as follows:

Step 1: There are Tripod Socket Holes on the back and bottom of the feeder. Choose a suitable mounting orientation, and mount the adapter parts to the supporter, then easily install it to the feeder.

Step 2: Fix the supporter to a tree trunk or a rod.



Step 3: fix the feeder to supporter.



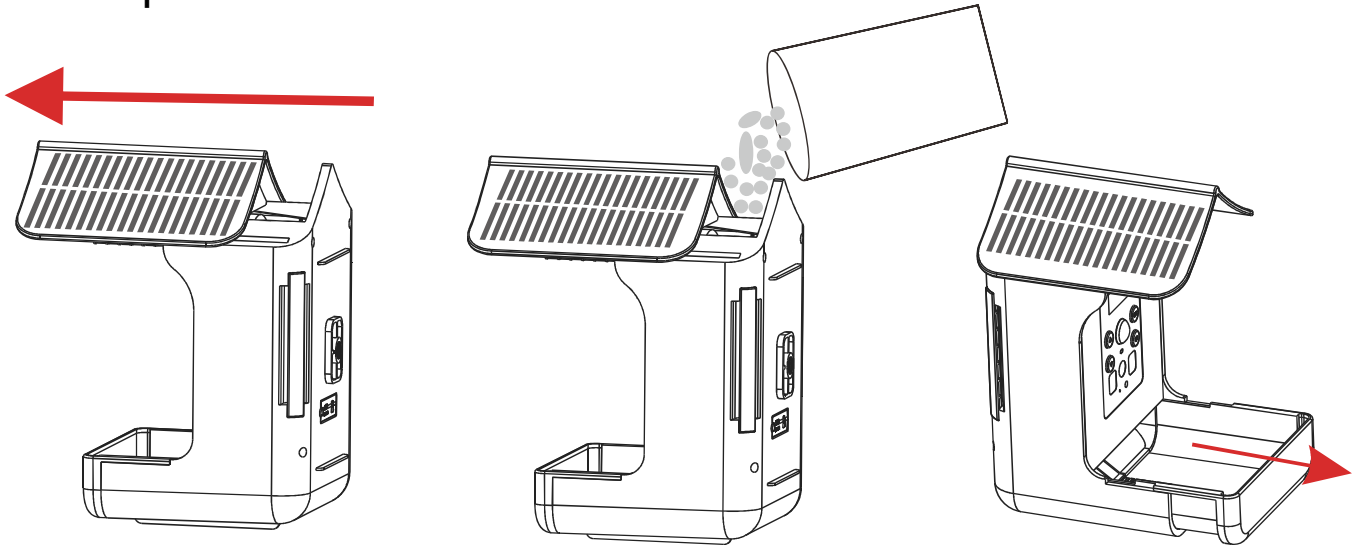
Step 4: fix the supporter to a small tree trunk.

6 How to put food

6.1 Putting in food

Step 1: Pull the roof top door from back to front to open the food compartment cover.

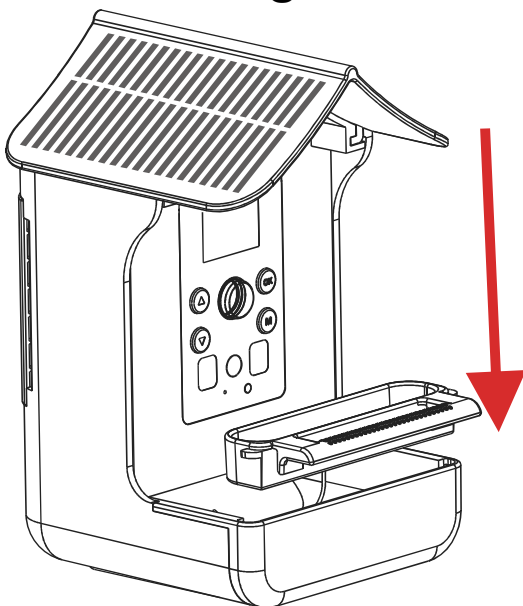
Step 2: Put the food in the food bin.



Step 3: Push the top door of the roof from front to back and close the food compartment cover.

Step 4: Sink installation position can be pulled out and extended.

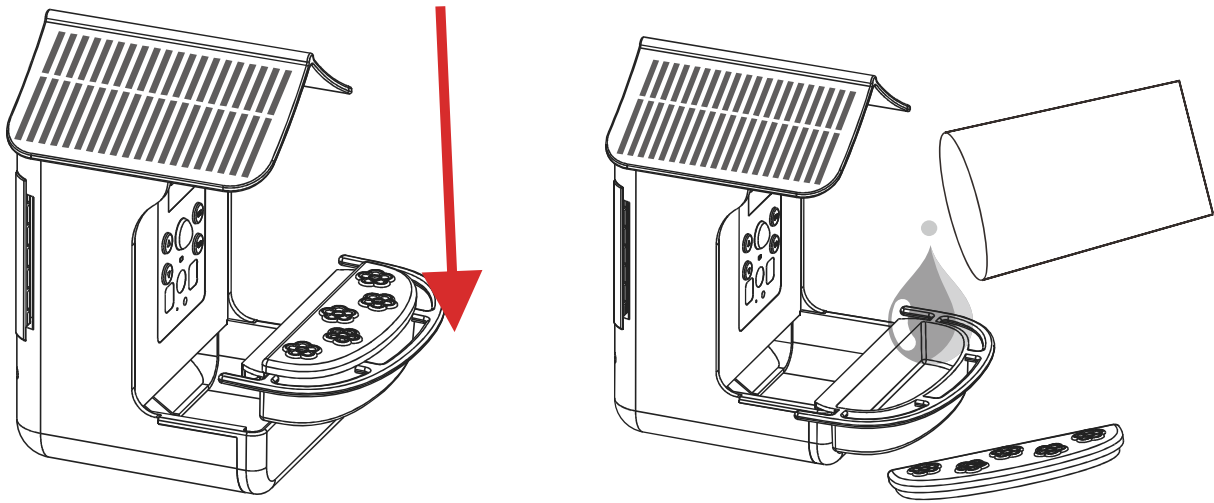
6.2 Pouring water into the sink



Step 1: Fasten the slot of the sink down to the trough

Step 2: Pour the water into the sink.

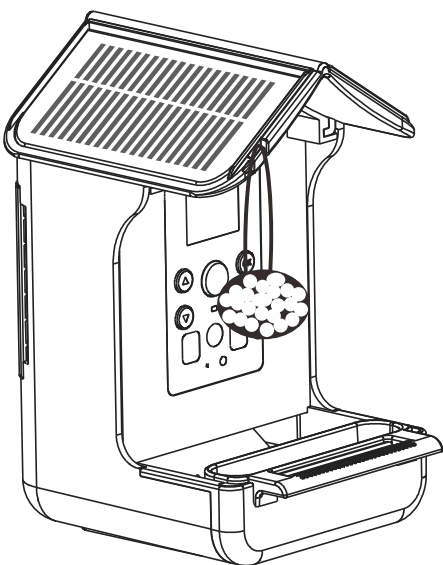
6.3 Putting in the Hummingbird Nectar



Step 1: Fasten the mouth of the hummingbird feeder down to the trough

Step 2: Remove the cap of the hummingbird feeder, put nectar in the hummingbird feeder, and cover the hummingbird feeder with the cap.

6.4 Hanging the food



Tie the food with the rope and fix the other end of the rope on the feeder's hanging hole.

7. Charging the smart bird feeder

1. The feeder comes with a solar panel that will continuously charge the integrated battery (1200mAh li-ion battery).
2. If there is no sunlight for a long time, and the solar panel can not meet the feeder charging, then you need to take the camera home to charge it. Remove the silicone protective shell on the port and charge the camera with the USB cable. Please use 5V/2A adaptor to charge the camera.

8. Connecting to a computer (microSD Card inserted)

To connect the camera to your computer, open the rubber jack door on the back of the feeder to access the USB port. Insert the type-C port of the USB plug into the camera's port, and the USB port into the USB port on your computer. Once connected and powered on, the camera's screen will show.

Transfer photos and Videos: Copy the videos and photos from the DCIM folder to the computer.

9. Specifications

Housing	Rain-Waterproof
Space for food	For approx. 250g of grain food
Sensor	1.3 MP CMOS
Photo Resolution	3M*/5M*/8M*/12M*
Video Resolution	VGA/720p/1080p*
Display	1.44"/3.6cm IPS
Lens	Fixed Focus
Automatic Motion Detection	Yes
PIR Sensing Distance	Up to 3 meters
PIR Sensing Trigger Time	0.8 sec
Recording Modes	Photo / Video / Photo + Video
Video Length	10 sec/30 sec/1 min / 3 min
Photo Burst	3/5/10 photos
Auto Power Off	Yes
Microphone	Built-in
File Format	AVI, JPG

10. Troubleshooting

The recordings do not capture subject:

- Try to place the device in an area where no heat sources are in the camera's field of view.
- In some cases, if the camera is near a body of water, it will take photos without any subject.
- Avoid placing the device on a fragile tree which may move in the event of strong wind.
- Remove the branches that are in front of the camera lens.
- Sunrise or sunset can trigger the PIR sensor.
- If the bird or other animals are moving too quickly, it may move out of the camera's field of view before the recording is taken.

The camera stops or won't record anymore:

- Check if the memory card is full.
- Check the battery status and make sure there is enough power left to operate the camera.
- Make sure the camera is in ON position.
- Format the memory card with the device.

Data Privacy

In every country, legal data protection rules apply. As these rules may vary per country, please contact the appropriate authorities to learn about the latest privacy policy in your country. In any case kindly note:

- Do not observe public areas such as sidewalks, roads, parking lots, etc.
- Never observe your staff.
- Respect the general right of privacy.
- Do not publish pictures showing individuals without having their permission. Do not publish pictures showing identifiable automobile license plates.
- Make aware of the observed areas with a sign and inform your neighbors and visitors if necessary.



The CE marking complies with the European standards and indicates that the product meets the requirements of the applicable EU directives. The complete declaration of conformity can be found on our website www.braun-phototechnik.de directly on the product page.

BRAUN Photo Technik GmbH

Merkurstr. 8

72184 Eutingen

Germany

www.braun-phototechnik.de

post@braun-phototechnik.de