

**Spring roller**

The proven and reliable reflecta spring roller system offers high functionality at a reasonable price.

The screen tube is safely mounted to a wall. The tensioning system guarantees a plain screen.

**Product details:**

- Fixed projection screen, tube diameter 6 cm.
- Black steel screen case.
- Projection screen attaches safely.
- Spring roller system for perfectly plain projection screen.
- Projection screen with high luminance and large viewing angle.
- Suitable for all common front projection types.

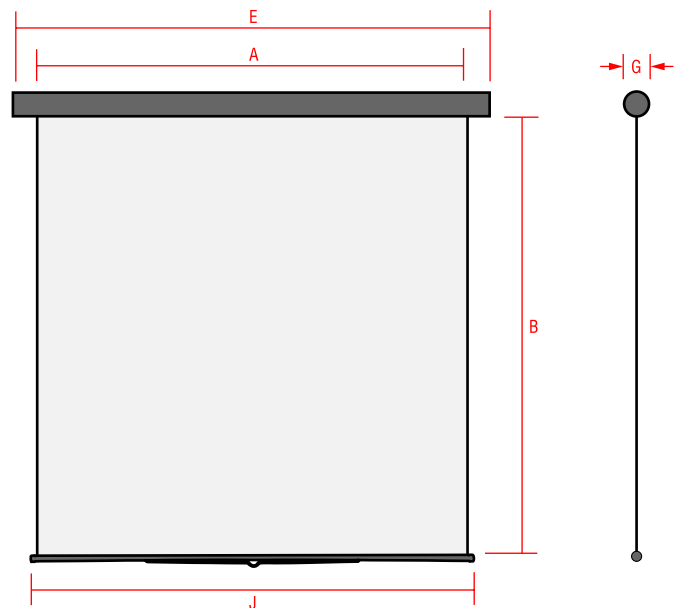
**New for spring roller:**

- Stop or self-locking roller mechanism.
- Can be mounted to ceiling.



**Spring roller Technical data** (all dimensions in cm)

Art.No.	Type	Fabric	Format	A	B	E	G	J	Weight
40821	Spring roller 125x125	AlphaLux	1:1	125	125	138	6	130	4 kg
40822	Spring roller 155x155	AlphaLux	1:1	155	155	167	6	157	5 kg
40823	Spring roller 180x180	AlphaLux	1:1	180	180	194	6	184	6 kg



Wall mount of tube



Screen suspension bracket